

Product info



HAZET 1845

Lockring Pliers

Tips Chrome-Vanadium, chrome-plated, burnished,
Solid plastic handles, black, with readjusting spring

DIN 5254, straight, Form A
for shafts (outside lockrings):



1845 A-3 ø 0,9
10 ø 1,3
19 ø 1,8

90° bent jaws, Form D



1845 D-8 ø 0,9
12 ø 1,3
19 ø 1,8

90° bent jaws, Form B



1845 B-3 ø 0,9
10 ø 1,3
19 ø 1,8

DIN 5254, 45° bent jaws,
for shafts (outside lockrings)



1845 E-3 ø 0,9
10 ø 1,3
19 ø 1,8

DIN 5256, straight, Form C
for holes (inside lockrings)



1845 C-8 ø 0,9
12 ø 1,3
19 ø 1,8

DIN 5254, 45° bent jaws,
for holes (inside lockrings)



1845 F-8 ø 0,9
12 ø 1,3
19 ø 1,8

Benefit:

Saving costs due to safe and quick operation
Very solid and very light due to the special plastic material

Also available as a set HAZET **1845/8**

contents: 1845 A-10 A-19 B-10 B-19 C-8 C-19 D-8 D-19

Product info



HAZET 1847

Clamp Pliers

Special steel



Application:

For mounting Hytrel axle collars clips and clips made from special steel with pre-set torque values e.g. VW, OPEL, FORD, etc.

Apply the HAZET Clamp Pliers 1847 at the lug of the clip and clamp with torque wrench HAZET 6110-1CT up to the torque value required.

Benefit:

This pliers allows the professional application and fixing of the clip in accordance to the torque instructions of the car maker, e.g. with HAZET 6110-1CT

Product nfo

h



HAZET 1847-1

Clamp Pliers with Lug Holding-Down Device



Special steel, nickel-plated

Application:

for axle collar clamps on passenger cars e.g. VW-Audi, Opel, BMW, Mercedes-Benz, Mazda, Honda, Nissan

Benefit:

Saving of costs due to safe and quick application

The lug holding-down device avoids any damaging of the lug and guarantees perfect gripping of the clamp as well as reaching the required constant pressure

Product info



HAZET 1847-6

Lockring Pliers

Chrome-Vanadium, chrome-plated
200 mm long



Application:

For retainer rings in cardan shafts and gear boxes,
especially for

- VW Golf: exterior cardan/bearing shafts
- AUDI 80: exterior cardan/bearing shafts
- Golf: transmission shaft rings of the cardan
- T4: Flange cardan

Benefit:

Saving of costs due to safe and quick operation

The special design of this pliers grants perfect treatment of the retainer rings.

Product info

h



HAZET 1849-1

Spark Plug Cap Remover



Special steel, chrome-plated
handles with black non-slip plastic jackets

total length 200 mm

Application:

for pulling and mounting spark plug caps, esp. Mercedes-Benz,

Benefit:

Saving of time: mounting of spark plug cap when hot, also
saving of costs: avoids any damaging of the plug cap
safe handling because grooves avoid any slipping down

Product info

h



HAZET 1849-2

Spark Plug Cap Remover



long extension

Special steel, chrome-plated
handles with black non-slip plastic jackets
length 320 mm

Application:

for pulling and mounting spark plugs caps, when hot in particular

Benefit:

longer handles provides better clearance distance to the hot aggregate
long socket avoids any damaging of the plug cap grooves to avoid cap slipping down

Product info

h



HAZET 1849-6

Spark Plug Socket Remover



Tube special steel, black, with T-handle
(protected by design patent)

Application:

For removing and mounting of spark plug sockets, on hot engines as well.
VW-Golf, Vento, Corrado, Passat with 2,8 l and
2,9 l VR 6-engines
Audi 80, 100; V6

Benefit:

Saving of costs due to quick and easy removing of the spark plug sockets
Due to material friendly finish no damaging of the ignition cable

Product info



HAZET 1968/5

Brake Bleeding Wrenches, Set 1968-7 up to -11



Chrome-Vanadium, chrome-plated

Double-Hex Box Wrenches bent and offset
6 point and same size at both sides

Application:

for brake releasing without dismantling the wheels
e.g. change of brake fluid (see manufacturer's instruction) when opening
the brake system e.g. replacement of the wheel brake cylinder, master
cylinder as well as line connections

Benefit:

Saving of time approx. 15 min.,
because there is no need to dismantle the wheels

Product info



HAZET 1971/3

Impact Puller



Special steel, black, with plastic-handle and 2 exchangeable sockets

1971 Impact puller

1971-1 Socket for pin \varnothing 8 mm

1971-2 Socket for pin \varnothing 10 mm

Application:

For extracting doorhinge pins (solid) on door hinges on Ford

1971-1: Ford Fiesta and Escort since model 86

1971-2: Ford Fiesta since model 89

Benefit:

Saving of time due to safe and material friendly application

The special headshape of the pins and the shape of the Impact Puller provides optimal operation between door and A-pillar

Product info



HAZET 1977-1

Inspection Mirror, lighted

plastic, black
length 620 mm
mirror 30 x 55 mm
weight 202 g

Thumb wheel on handle, for mirror adjustment by 90° and flexible shaft make thorough inspection possible.

On/off switch at the handle 2 batteries (Mignon 1.5V) in the handle.
Replacing the light by using the enclosed plastic hose (to be stored in the handle).

Application:

Illuminates restricted areas

Benefit:

Saving of time

Product info



HAZET 2105 Lg-015 up to -12

Head Hex Wrench

with ball hex



long pattern,
Chrome-Vanadium, nickel-plated
size 1,5 mm up to 12 mm
ball hex = angular movement up to 25°

Application:

for hollow hex head screws

Benefit:

Avoids dismantling

Savings of time and costs (avoids any damaging of the fasteners, also in angular movement)

Product info



HAZET 2116 Lg-T 9 bis T 55

TORX® Angeled wrenches ▶ with ball head



long pattern,

Chrome-Vanadium, steel grey,

Sizes T 9 - T 10 - T 15 - T 20 - T 25 - T 27 - T 30 - T 40 - T 45 - T 50 - T 55

angular movement 20°

Application:

for hollow inside TORX® screws

Benefit:

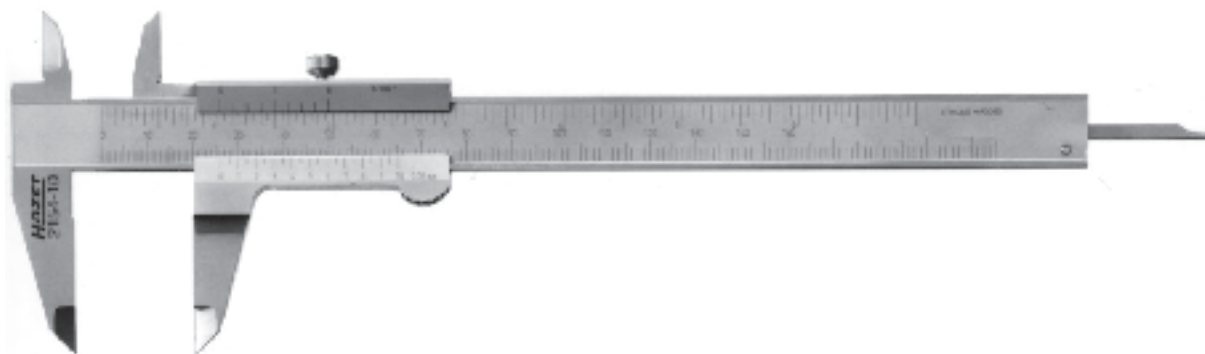
Avoids dismantling

Saving of time and costs (avoids any damaging of the fasteners)

Also available as a set HAZET 2116 Lg/8 H
in plastic clip

Contents: 2116 Lg-T 9, -T 10, T 15, T 20, T 25, T 27, T 30, T 40

Product info



HAZET 2154-10

Vernier Caliper

DIN 862

made from stainless steel
in pocket

Range up to 150 mm

with depth gauge

Nonius 0,05 mm and $\frac{1}{128}$ "

mm and inch increments

234 mm length

Product info



HAZET 2154-20

Digital Caliper

DIN 862

made from stainless steel,

in wooden-box,

with 1 battery,

range up to 150 mm

with depth gauge

Reversible from mm to Zoll

with interface RS 232 C for data logging

with automatic switch off

234 mm length

Product Info



HAZET 2156-1

Cable Stripping Knife



with guard cap

plastic, black,

depth of the cut adjustable by locking screw at the end of the handle,
therefore no damaging of internal conductor

Turnable inside blade changes automatically after round cut to axial cut

Spare blade stored in the handle

Hook blade for dissheating segment and flat cables

175 mm length

Application:

for quick and precise disheating of all common round cables,
8 – 28 mm \varnothing

Product info



HAZET 2169-2



Oil Filter Wrench

MB-No. 606 589 01 09 00

Chrome-Vanadium, chrome-plated,
s 36 mm (6 point)

drive nominal size 10 = $\frac{3}{8}$ "

Application:

For disassembling and mounting the cover of the oil filter box when changing the oil filter insert

e.g. for

MERCEDES-BENZ

engine 604 : C 220 D, E 220 D; engine 605 : C 250 D, E 250 D

engine 606 : E 300 D; engine 616: MB 100 D vans

and BMW

engine M 52- 6 Cyl. 3 series since 9/95, 5 series since 11/95

engine M 60- 8 Cyl. 5, 7 and 8 series

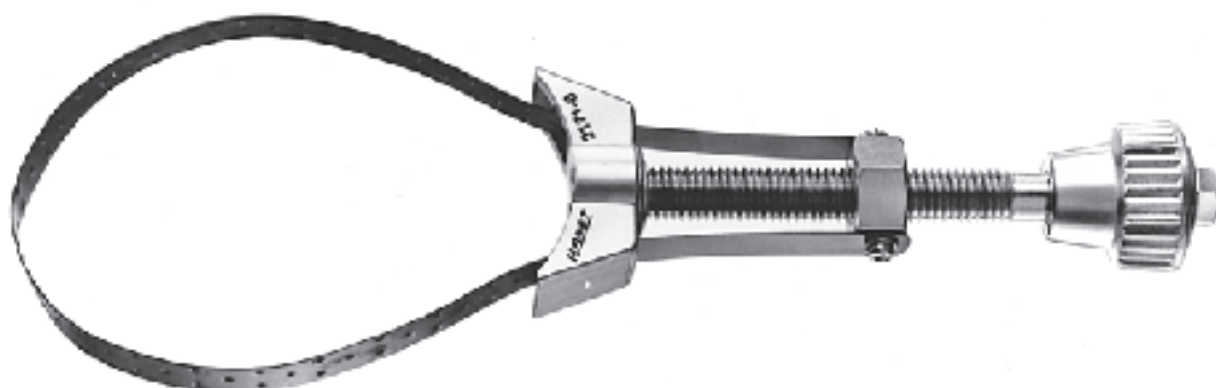
engine M 70-12 Cyl. 7 series and 850

engine M 73-12 Cyl. 7 series and 850

Benefit:

- quick application
- safe, professional and clean operation
- Torque-regulation of the carmaker could be reached when using the HAZET Torque-wrench 6110-1 CT even in this restricted area

Product info



HAZET 2171-5 -6

Oil Filter Wrenches



2171-5 capacity 65 – 105 mm
-6 capacity 105 – 150 mm

Application:

to unscrew oil filters
adjustable by turning knob or hex 13 mm

Benefit:

- for restricted areas
- quick application
- safe, professional operation
- exchangeable strap

2171-05 spare strap for 2171-5
-06 spare strap for 2171-6

Product info



HAZET 2171-8

Oil Filter Chain Wrench

DBGM

special steel

capacity 50 – 110 mm

drive nominal size 12,5 = 1/2"



Application:

Loosening oil filters

Benefit:

- quick application
- safe, professional operation
- no slipping due to tothing
- even in restricted areas

Product info

h



HAZET 2174

Clutch Centring Tool



plastic, black
with metal draw spindle

Collet size 1 = \varnothing 15 mm
 size 2 = \varnothing 22 mm

Application:

for clutch changing also for cars without clutch guide bearing in the fly wheel

Benefit:

saving of time, because no need to center the clutch plate by the needle bearing
fast and easy installing
exact aligning and installation of clutch plates to pressure plate

Product info



HAZET 2195

Cartridge Wrench

MB-No. 655 589 00 61 00

MAN-No. 80 99606-0307

Special steel, burnished

Inside drive nominal size 12,5 = 1/2"
140 mm max. \varnothing

Application:

for loosening of the granulates cartridge at brake system of commercial vehicles

During the loosening, the dynamic effect of the grips and therefore the grip on the cartridge increases in proportion to the force applied

Benefit:

Saving of time due to safe, quick and professional loosening of the cartridge

